

First-time setup

AMILO Notebook Pi 3560 AMILO Notebook Pi 3660

A decorative, light gray scrollwork pattern that curves upwards from the bottom left towards the right side of the page.

English

Are there ...

... any technical problems or other questions you wish to discuss?

Please contact:

- our Hotline/Help Desk (see Help Desk list or visit: ["http://ts.fujitsu.com/helpdesk"](http://ts.fujitsu.com/helpdesk))
- Your authorised distributor
- Your sales office

Additional information is contained in the Help Desk list and the "Warranty" manual.

The "Warranty" manual can be found on your notebook by clicking on *Start – Manual*, or alternatively you can download it from our website.

The latest information about our products, useful tips, updates etc. is available from our website: ["http://ts.fujitsu.com"](http://ts.fujitsu.com)

Copyright

© Fujitsu Technology Solutions 2009
2009/08

A26391-K296-Z201-1-7619, Edition 1

Published by

Fujitsu Technology Solutions GmbH
Mies-van-der-Rohe-Straße 8
80807 München, Germany

Contact

<http://ts.fujitsu.com/support>

All rights reserved, including intellectual property rights.
Technical data subject to modifications and delivery subject
to availability. Any liability that the data and illustrations are
complete, actual or correct is excluded. Designations may be
trademarks and/or copyrights of the respective manufacturer, the
use of which by third parties for their own purposes may infringe
the rights of such owner. For further information see
http://ts.fujitsu.com/terms_of_use.html

AMILO Notebook Pi 3560/Pi 3660

First-time setup

Innovative technology	1
Ports and controls	4
Important notes	6
Preparing your notebook for use	7
Technical data	11

Microsoft, MS, Windows, Windows Vista and Windows 7 are registered trademarks of the Microsoft Corporation.

Adobe Reader is a trademark of Adobe Systems Incorporated.

MultiMediaCard is a registered trademark of Infineon Technologies AG

Sony and Memory Stick are registered trademarks of Sony Electronics, Inc.

All other trademarks referenced are trademarks or registered trademarks of their respective owners, whose protected rights are acknowledged.

Copyright © Fujitsu Technology Solutions GmbH2009

All rights reserved, including rights of translation, reproduction by printing, copying or similar methods, either in part or in whole.

Non-compliance is subject to compensation for damages.

All rights reserved, including rights created by patent grant or registration of a utility model or design.

Subject to availability and technical modifications.

Contents

Innovative technology	1
Notational conventions	2
Further information	3
"AMILO Notebook" Operating Manual	3
Ports and controls	4
AMILO Notebook Pi 3560	4
AMILO Notebook Pi 3660	5
Important notes	6
Help if problems occur	6
Preparing your notebook for use	7
Unpacking and checking your notebook	7
Selecting the location	8
Connecting the mains adapter	8
Switching on the notebook for the first time (devices with pre-installed Windows operating system)	9
Application keys (AMILO Notebook Pi 3660 only)	10
Assigning the application keys	10
Technical data	11
Notebook	11
Mains adapter	11

Innovative technology

... and ergonomic design make your AMILO Notebook Pi 3560 / Pi 3660 a reliable and user-friendly notebook.

If you have purchased a notebook with a Microsoft Windows operating system, this is already pre-installed and optimally configured for you. The notebook is immediately ready to use, as soon as you switch it on for the first time.





Your notebook features the very latest technology, so that you get the best performance from your computing experience.

- a drive for reading and writing CDs/DVDs
- three USB ports, providing simple expansion options for game pads, printers and other equipment
- a combined eSATA/USB port for connecting an external SATA hard disk or another USB device
- LAN and Wireless LAN for Internet and network access
- a HDMI port for fully digital transfer of audio and video data
- a VGA monitor port for an external monitor
- an integrated webcam and digital microphones for the widest variety of multimedia applications
- a multi-format card reader for rapid transfer of digital photos, music and video clips onto your notebook
- an onboard sound card and stereo loudspeakers for your audio enjoyment
- additional input and output ports for high-quality audio accessories
- Bluetooth® 2.1 for wireless operation of a variety of accessories
- a keyboard with a separate number keypad (AMILO Notebook Pi 3660 only)
- an on-screen display for visually checking the most important settings of your notebook

The user-friendly "BIOS Setup Utility" offers powerful password protection functions which can be used to control the hardware of your notebook and provide better protection for your system against unauthorised use.

This Operating Manual tells you how to get your AMILO notebook up and running and how to operate it in daily use.

Notational conventions

	<p>Pay particular attention to text marked with this symbol. Failure to observe these warnings could pose a risk to health, damage the device or lead to loss of data. The warranty will be invalidated if the device becomes defective through failure to observe these warnings.</p>
	<p>Indicates important information for the proper use of the device.</p>
	<p>Indicates an activity that must be performed</p>
	<p>Indicates a result</p>
<p>This font</p>	<p>indicates data entered using the keyboard in a program dialogue or at the command line, e.g. your password (Name123) or a command used to start a program (start.exe)</p>
<p>This font</p>	<p>indicates information that is displayed on the screen by a program, e.g.: Installation is complete.</p>
<p><i>This font</i></p>	<p>indicates</p> <ul style="list-style-type: none"> • terms and texts used in a software interface, e.g.: Click on <i>Save</i> • names of programs or files, e.g. <i>Windows</i> or <i>setup.exe</i>.
<p>"This font"</p>	<p>indicates</p> <ul style="list-style-type: none"> • cross-references to another section, e.g. "Safety information" • cross-references to an external source, e.g. a web address: For more information, go to "http://ts.fujitsu.com" • Names of CDs, DVDs and titles or designations of other materials, e.g.: "CD/DVD Drivers & Utilities" or "Safety" Manual
<p>Key</p>	<p>indicates a key on the keyboard, e.g: F10</p>
<p>This font</p>	<p>indicates terms and texts that are emphasised or highlighted, e.g.: Do not switch off the device</p>

Further information



You will find general information on your AMILO Notebook in the "AMILO Notebook" operating manual.

You will find the Windows drivers for your AMILO Notebook on our Internet website. Fujitsu Technology Solutions does not accept any liability whatsoever if any other operating system is used.

Software oriented components of these instructions refer to Microsoft products, if they come within the scope of the delivery of your AMILO Notebook.

If you install other software products, pay attention to the operating instructions of the producer.

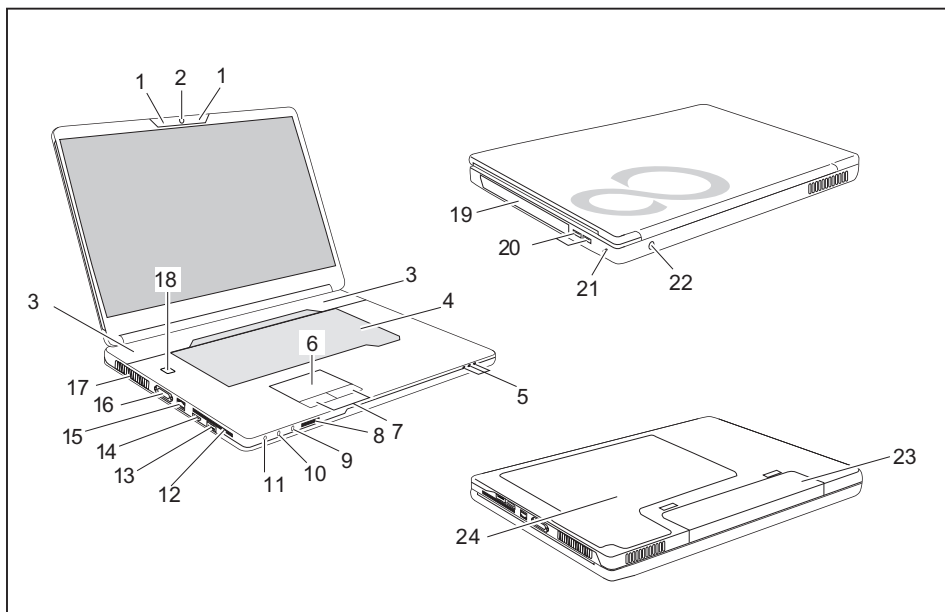
"AMILO Notebook" Operating Manual

The "AMILO Notebook" Operating Manual can be found on the Internet under "<http://ts.fujitsu.com/support>" or in the Windows Start menu on pre-installed Windows operating systems.

Ports and controls

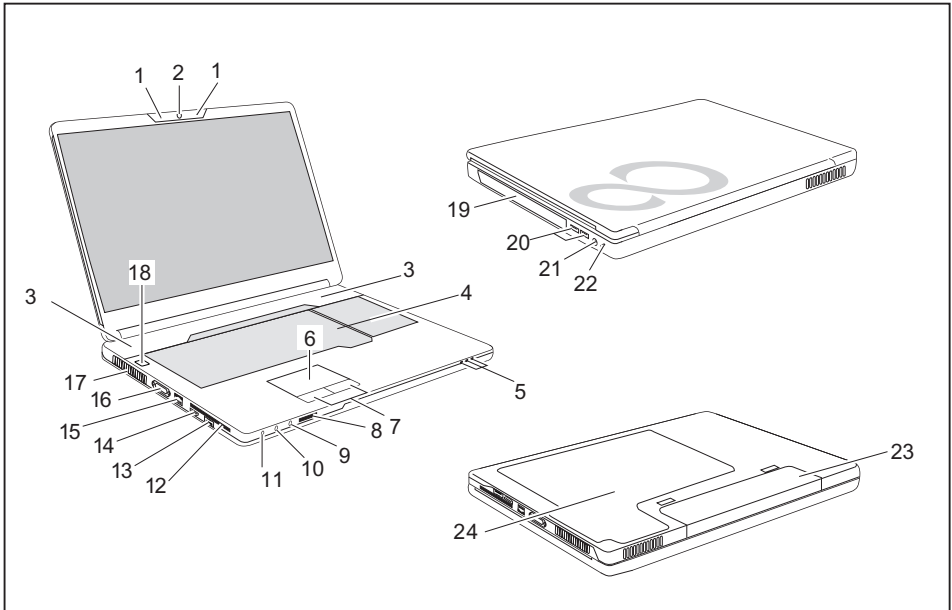
This chapter presents the individual hardware components of your notebook. It gives an overview of the displays and connections of the notebook. Please familiarise yourself with these items before you start to work with your notebook.

AMILO Notebook Pi 3560



- | | |
|---|--|
| 1 = Digital microphone array | 14 = HDMI port |
| 2 = Webcam | 15 = Network port |
| 3 = Loudspeakers | 16 = VGA monitor port |
| 4 = Keyboard | 17 = Ventilation slots |
| 5 = Status indicators | 18 = ON/OFF switch |
| 6 = Touchpad | 19 = CD/DVD drive (optional: Blu-ray drive) |
| 7 = Touchpad buttons | 20 = USB ports |
| 8 = Multi-format card reader | 21 = Kensington Lock |
| 9 = Line-in port | 22 = DC input connector (DC IN) |
| 10 = Microphone jack | 23 = Rechargeable battery |
| 11 = Headphones / SPDIF / Line-out port | 24 = Service compartment, memory and hard disk |
| 12 = ExpressCard slot | |
| 13 = Combined eSATA/USB port | |

AMILO Notebook Pi 3660



- 1 = Digital microphone array
- 2 = Webcam
- 3 = Loudspeakers
- 4 = Keyboard with separate number keypad
- 5 = Status indicators
- 6 = Touchpad
- 7 = Touchpad buttons
- 8 = Multi-format card reader
- 9 = Line-in port
- 10 = Microphone jack
- 11 = Headphones / SPDIF / Line-out port
- 12 = ExpressCard slot
- 13 = Combined eSATA/USB port

- 14 = HDMI port
- 15 = Network port
- 16 = VGA monitor port
- 17 = Ventilation slots
- 18 = ON/OFF switch
- 19 = CD/DVD drive (optional: Blu-ray drive)
- 20 = USB ports
- 21 = Kensington Lock
- 22 = DC input connector (DC IN)
- 23 = Rechargeable battery
- 24 = Service compartment, memory and hard disk

Important notes



Please read and observe the safety instructions in the "Safety" manual and in the "AMILO Notebook" operating manual.

Help if problems occur

Should you at any time have a problem with your computer that you can't solve yourself, in many cases you can quickly solve it by using the *SystemDiagnostics* program which is pre-installed on your computer.



The *SystemDiagnostics* program is already installed on devices which were delivered with a Windows operating system.

- ▶ To start the *SystemDiagnostics* program, click on *Startsymbol - Program - Fujitsu - SystemDiagnostics*.
- ▶ If a problem is found during a test run, the *SystemDiagnostics* program outputs a code (e.g. DIFS-Code YXXX123456789123).
- ▶ Make a note of the output DIFS code and the identity number of your device. The identity number can be found on the type rating plate on the back of the casing.
- ▶ For further clarification of the problem, contact the Help Desk for your country (see the Help Desk list or visit the Internet at "<http://ts.fujitsu.com/support>"). When you do this, please have ready the identity number and serial number of your system and the DIFS code.

Preparing your notebook for use



If your notebook comes with a Windows operating system then all of the necessary hardware drivers and the supplied software will already be pre-installed.

When you switch on the notebook for the first time it will perform a system check. A number of different messages may be displayed. In the process, the display may flicker or darken temporarily.

Please follow the instructions on the screen.

It is very important that you do not switch the notebook off during this initial set-up process.

Before you can use your notebook for the first time you will need to charge the battery.

On delivery, the battery can be found in the battery compartment or in the accessories kit. The battery must be charged if you want to operate your notebook with the battery.

When not plugged into a mains socket, the notebook runs on its built-in battery. You can increase the battery's life by enabling the system's energy saving functions.

If you use the notebook in at home or in an office, we recommend you use the mains adapter instead of the battery.

Please refer to the "AMILO Notebook" operating manual for instructions on how to connect external devices (e.g. a mouse or a printer) to the notebook..

Unpacking and checking your notebook



Should you discover any damage incurred during transportation, notify your local sales outlet immediately!

- ▶ Unpack all the individual parts.
- ▶ Check your notebook for damage incurred during transportation.



We recommend that you keep the original packaging material.

You may need the packaging in the future if you need to transport your device.

Selecting the location



Select a suitable location for the notebook before setting it up. Consider the following points when selecting a location:

- Never place the notebook and the mains adapter on a heat-sensitive surface. This could damage the surface.
- Never place the notebook on a soft surface (e.g. carpeting, upholstered furniture, bed). This can block the air vents and cause damage due to overheating.
- Do not place the notebook directly on your legs for extended periods. The underside of the notebook heats up during normal operation. Extended contact with the skin can become unpleasant or even result in burns.
- Place the notebook on a stable, flat, non-slip surface. Please note that the rubber feet may mark certain types of surfaces.
- Keep other objects 100 mm away from the notebook and its mains adapter to ensure adequate ventilation.
- Never cover the ventilation slots on the notebook.
- Do not expose the notebook to extreme environmental conditions. Protect the notebook against dust, humidity and heat.

Connecting the mains adapter

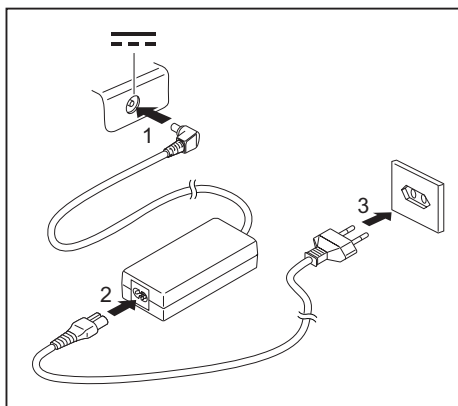


Please observe the safety precautions in the enclosed "Safety" manual.

The supplied mains cable conforms to the requirements of the country in which you purchased your notebook. Make sure that the mains cable is approved for use in the country in which you intend to use it.

The mains cable of the mains adapter must only be connected to a mains socket if the notebook is connected to the mains adapter.

Make sure that the rated current of the mains adapter is not higher than that of the mains supply to which you connect the mains adapter (see chapter "Technical Data" ["Mains adapter", Page 11](#)).



- ▶ Connect the mains adapter cable (1) to the DC jack (DC IN) on the notebook.
- ▶ Connect the mains cable (2) to the mains adapter.
- ▶ Plug the mains cable (3) into a mains outlet.

Switching on the notebook for the first time (devices with pre-installed Windows operating system)



We recommend that the notebook is supplied with power through the mains adapter during this procedure.

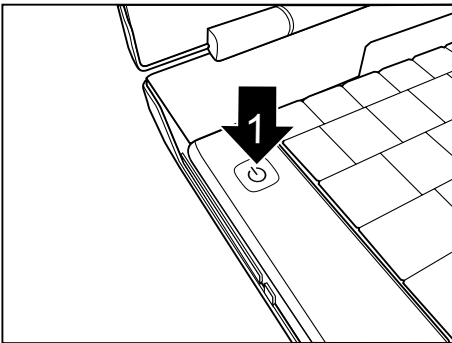
When you switch your notebook on for the first time, the supplied software is installed and configured. Because this installation procedure must not be interrupted, you should set aside enough time for it to be fully completed and connect the notebook to the mains outlet using the mains adapter.

During installation, the notebook must only be rebooted when you are requested to do so!

We strongly recommend that, as soon as possible after purchasing your equipment, you create a backup copy on DVD of the pre-installed operating system in its delivery configuration.

You can find further information on how to restore the operating system, drivers, manuals and special software in the "Recovery Process" manual.

Your operating system is pre-installed on the hard disk to help you when you start using your notebook for the first time.



- ▶ Switch the notebook on (1).

- ▶ During installation, follow the on-screen instructions.
- ↳ Consult the operating system manual if anything is unclear about the requested input data.



If a Windows operating system is installed on your notebook, you will find more information on the system and drivers, help programs, updates, manuals etc. on the notebook or on the Internet under ["http://ts.fujitsu.com/support"](http://ts.fujitsu.com/support).

Application keys (AMILO Notebook Pi 3660 only)

Your notebook is equipped with four application keys. By pressing one of these keys you can directly access a previously defined file on your computer, an Internet page or your email account.



On notebooks which have a separate number keypad, the four application keys are located directly above the number keys.



Assigning the application keys



On devices with a pre-installed Windows operating system, you will find the program *Launch Manager* in the Program menu. If you wish to install the program at a later date, please visit our website at "<http://ts.fujitsu.com/support>".

Each application key can have its own action assigned to it.

- ▶ Start the program by clicking on *Start Symbol/All Programs/Launch Manager*.
- ▶ Use drag & drop to pull any program or file symbol into one of the four squares (A1 to A4).



- ▶ Set the checkmark in the field underneath to activate the application key.

or

- ▶ Drag another program symbol into a square.
 - ▶ Close *Launch Manager*.
 - ▶ Press the application key to which you have assigned a function.
- ↳ The assigned program is launched.

Technical data

Notebook

Ambient conditions	
Operating temperature	5 °C – 35 °C
Dimensions of the AMILO Notebook Pi 3560	
Width x depth x height (front/back)	380 mm x 245 mm x 20.5 - 37.4 mm
Weight (including 6-cell rechargeable battery)	approx. 2.67 kg
Dimensions of the AMILO Notebook Pi 3660	
Width x depth x height	438 mm x 285 mm x 21.0 - 38.0 mm
Weight (including 6-cell rechargeable battery)	approx. 3.4 kg



The data sheet for your notebook contains further technical data. You can either find the data sheet on your notebook or download it from ["http://ts.fujitsu.com/support"](http://ts.fujitsu.com/support).

Mains adapter

Electrical data	
Primary	90 W
Rated voltage	100 V – 240 V (automatic)
Rated frequency	50 Hz – 60 Hz (automatic)
Secondary	
Rated voltage	20 V
Max. rated current	4.5 A

An additional mains adapter or power cable can be ordered at any time.